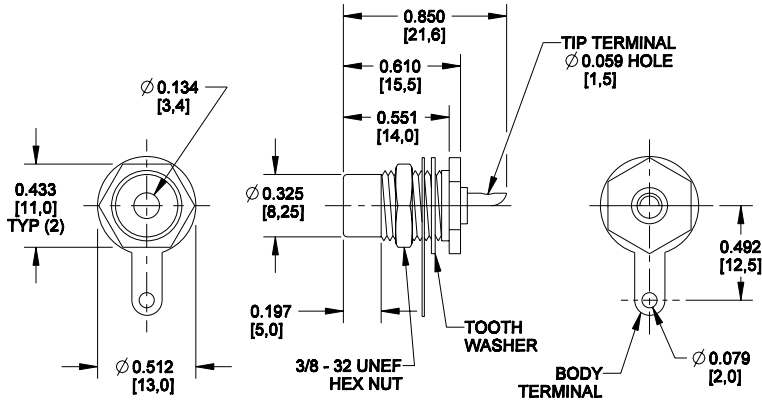
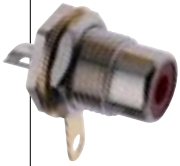


BULKHEAD PHONO JACKS PRODUCT BULLETIN 536

Product Information

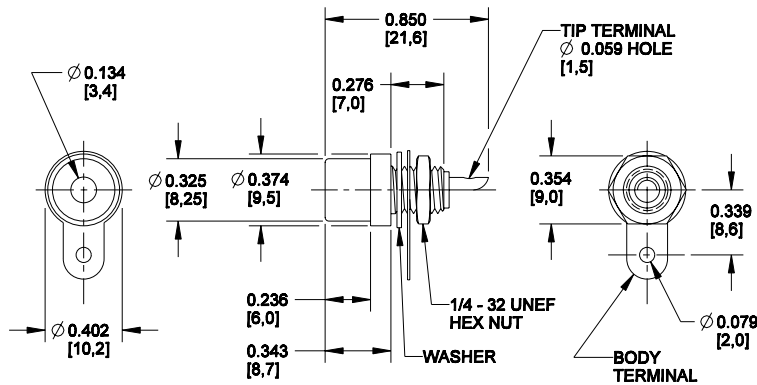
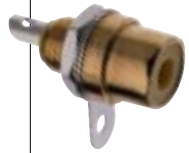
Rear Mount Solder Type

DIMENSIONS ARE FOR REFERENCE ONLY ^{Inch}_(mm)
All PC Board layouts are component side



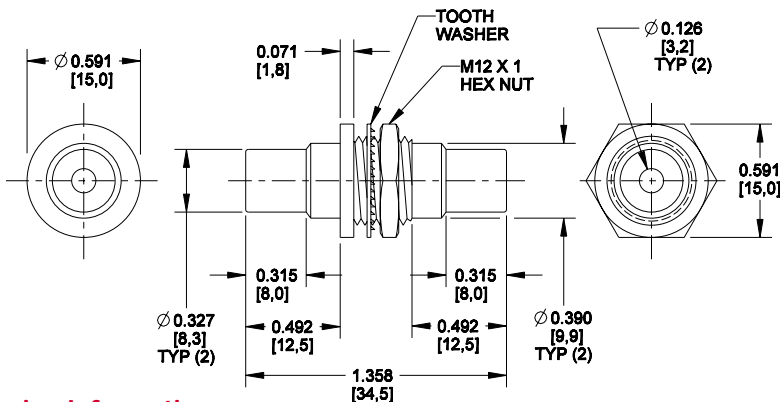
| Part Number | Color |
|-------------|--------|
| BPJR01 | Black |
| BPJR01AU | Black |
| BPJR02 | Red |
| BPJR02AU | Red |
| BPJR03 | White |
| BPJR03AU | White |
| BPJR04 | Yellow |
| BPJR04AU | Yellow |

Front Mount Solder Type



| Part Number | Color |
|-------------|--------|
| BPJF01 | Black |
| BPJF01AU | Black |
| BPJF02 | Red |
| BPJF02AU | Red |
| BPJF03 | White |
| BPJF03AU | White |
| BPJF04 | Yellow |
| BPJF04AU | Yellow |

Bulkhead Mount



| Part Number | Color |
|-------------|--------|
| BPJJ01 | Black |
| BPJJ01AU | Black |
| BPJJ02 | Red |
| BPJJ02AU | Red |
| BPJJ03 | White |
| BPJJ03AU | White |
| BPJJ04 | Yellow |
| BPJJ04AU | Yellow |

Ordering Information

| BPJ | R | 01 | AU |
|---------------------|---------------------------------------|---|-----------------------------|
| Product Type | Mounting | Insulator Color | Shell Plating |
| Bulkhead Phono Jack | R = Rear F = Front B = Bulkhead | 01 = Black 02 = Red 03 = White 04 = Yellow xx = Contact Factory | AU = Gold Empty = Nickel |

Switchcraft®

5555 North Elston Avenue / Chicago, IL 60630
Phone: 773-792-2700 / Fax: 773-792-2129

www.switchcraft.com